



Client _____ Quantity _____
 Project _____ Position _____

ROC 900

Model: R90/80BRE/80F/M
 Market: Extra UE

Cod: MP01614124003

Technical data

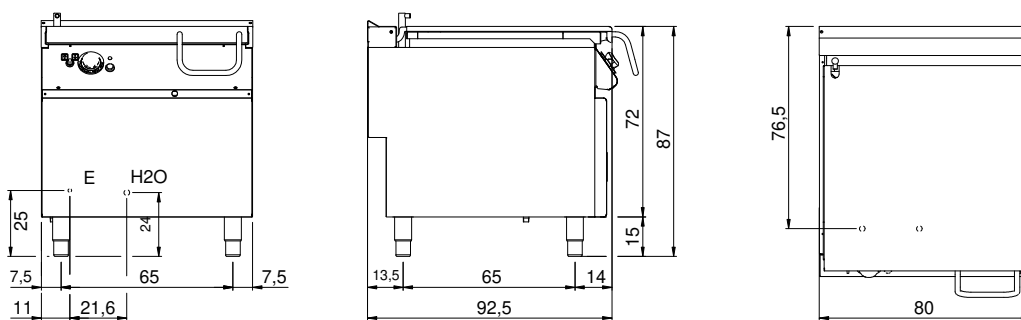
Modularity:	On closed cabinet
Dimensions (mm):	800x900x870
Total electric power (kW):	15
Cooking zone dimensions 1 (LxD mm):	fondo vasca 680x567
Nr. Wells:	1
Well litres 1:	80
Well dimensions 1 (mm):	680x567x170
Electric power (V):	380-415
Ampere (A):	23
Phases:	3N
Cable section (mmq):	5G4
Frequency (Hz):	50-60
Cold water inflow:	3/4"
Cold water pressure (bar):	Max pressure 5 bar
Net volume (m3):	0,626
Packing dimensions (mm):	880x1026x1109
Gross weight (kg):	178
Gross volume (m3):	1,001

Features

Working top:	Made of AISI 304 stainless steel with a thickness of 20/10 mm
Material of plate:	Iron
Plate finish:	Smooth
Tipologia ribaltamento:	Motorizzata
Knobs:	Made of aluminum with IPX5 water protection
Water inflow:	With solenoid valve

Electric motorized tilting brattpan capacity 80 lt. Side panels, bottom and back made of stainless steel. Designed for flush alignment. Cooking well made of Stainless steel AISI 304 with bottom in mild steel. Motorized well tilting on front axle. Well water charge by means of filling tap located on the flue. Well lid made of stainless steel AISI 304 with ergonomic and athermic handle. Heating by means of electric elements made of Incoloy 800 alloy. Temperature control by thermostat. Safety thermostat stop heating in case of malfunction. Special design knobs to avoid water penetration in the control panel. Adjustable feet made of stainless steel. IPX5 protection rating. Electric power supply VAC 400 3N 50÷60 Hz - 15 kW.

Technical draw



E: Electric power

H2O: Water inflow 3/4"