



Client \_\_\_\_\_ Quantity \_\_\_\_\_

Project \_\_\_\_\_ Position \_\_\_\_\_

## ROC 900

Model: R90/80PEI/50

Cod: MP01534124003

### Technical data

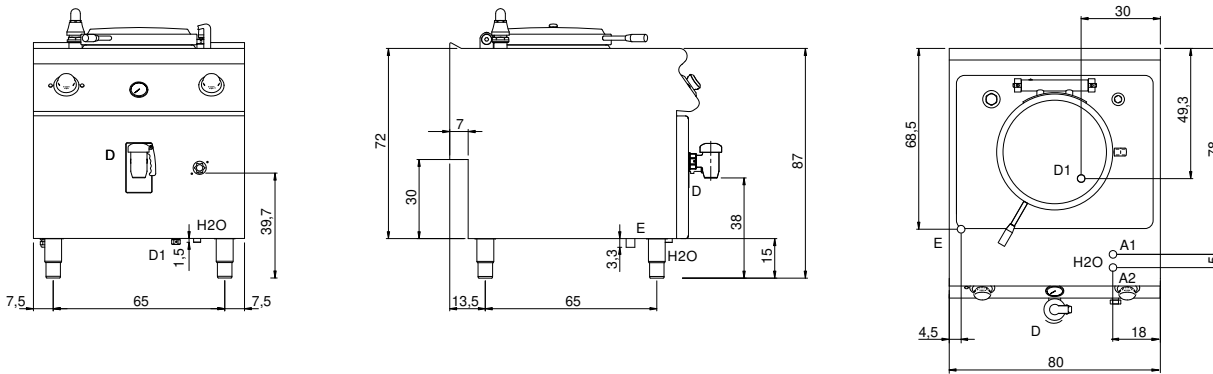
Modularity:	On closed cabinet
Dimensions (mm):	800x900x870
Total electric power (kW):	12,3
Nr. Wells:	1
Well litres 1:	50
Well dimensions 1 (mm):	Ø396x445
Electric power (V):	380-415
Ampere (A):	19,5
Phases:	3N
Cable section (mmq):	5G2,5
Frequency (Hz):	50-60
Hot water inflow :	3/4"
Hot water temperature (°C):	40
Hot water pressure (bar):	Max pressure 5 bar
Cold water inflow:	3/4"
Cold water pressure (bar):	Max pressure 5 bar
Drain size:	1 1/2"
Net volume (m3):	0,626
Packing dimensions (mm):	880x1272x1274
Gross weight (kg):	175
Gross volume (m3):	1,426

### Features

Working top:	Made of AISI 304 stainless steel with a thickness of 20/10 mm
Type of heating:	Indirect
Knobs:	Made of aluminum with IPX5 water protection
Water inflow:	With solenoid valve

Electric boiling pan with indirect heating capacity 50 liters. Side panels, bottom and back made of stainless steel. Pressed top made of AISI 304 thickness 20/10 equipped with control edge. Designed for flush alignment. Rear flue made of enamelled cast-iron. Cooking weel walls in stainless steel AISI 304 and bottom in AISI 316. Balanced lid in stainless steel AISI 304 equipped with athermic handle. Structure made of stainless steel. Thermal insulation obtained by means of high thickness panels. Water charge (hot and cold) by means of electro-valve. Well drain hole with extractable filter. 2 front drain tap made of chromed brass with insulated handle. Safety thermostat with manual reset operating in case of overheating. Jacket walls in AISI 304. Pressure control in the jacket by means of savety valve and analogical pressure gauge. Heating by means of armoured "Incoloy-800" elements, controlled by electromechanical thermostat. Temperature setting by thermostat and Min/Max switch. Water level control in the jacket by level taps. Special design knob to avoid water penetration in the control panel. Adjustable feet made of stainless steel. IPX5 protection rating. Electric power supply VAC 400 3N 50±60 Hz - 12.3 kW.

## Technical draw



G: Gas connection 1/2"

E: Electric power

H2O: Water inflow 3/4"

A1: Hot water inflow

A2: Cold water inflow

D: Drain for water