



Client _____ Quantity _____
Project _____ Position _____

ROC 1100

Model: R110/80AGEI

Cod: MP01495125002

Technical data

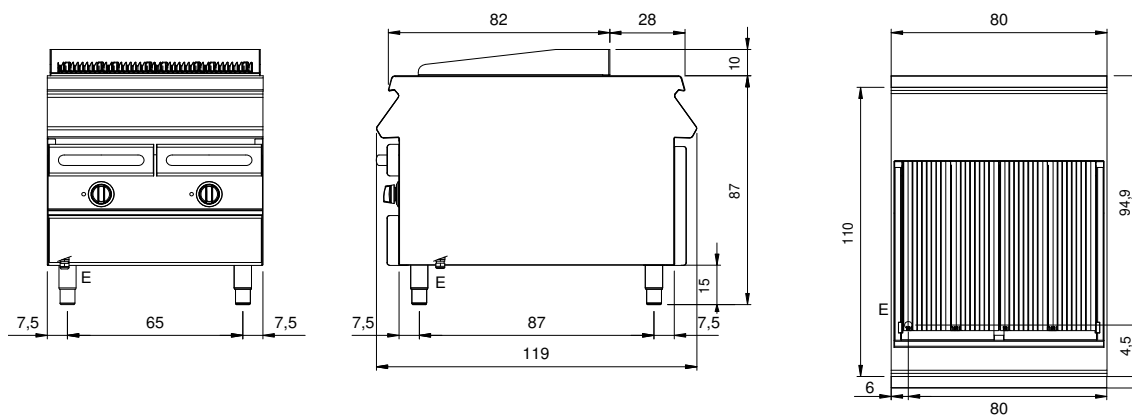
| | |
|-------------------------------------|----------------------------|
| Modularity: | On closed cabinet |
| Dimensions (mm): | 800x1100x870 |
| Total electric power (kW): | 15 |
| Cooking zone dimensions 1 (LxD mm): | n°2 981.096.00 (178,5x645) |
| Cooking zone dimensions 2 (LxD mm): | n°2 981.096.00 (178,5x645) |
| Electric power (V): | 380-415 |
| Ampere (A): | 23 |
| Phases: | 3N |
| Cable section (mmq): | 5G4 |
| Frequency (Hz): | 50-60 |
| Net volume (m3): | 0,766 |
| Packing dimensions (mm): | 880x1272x1274 |
| Gross volume (m3): | 1,426 |

Features

| | |
|------------------------------|---|
| Grill: | In stainless steel |
| Working top: | Made of AISI 304 stainless steel with a thickness of 2 mm |
| Knobs: | Made of aluminum with IPX5 water protection |
| Liquid collection container: | Removable and dishwasher safe |
| Upright Splash guard: | On three sides |

Electric aqua grill on closed cabinet. Side panels, bottom and back made of stainless steel. Top made of AISI 304 thickness 20/10. Designed for flush alignment. Reversible stainless steel cooking grille. Forward sloping for cooking fatty meats, with 5 mm elements in direct contact and drip tray for collecting grease. Flat for cooking fish and vegetables with circular elements. Side and rear splashback. Grease collection by an upper front extractable tray. An extractable drawer located under the heating zone contains water whose evaporation ensures grilled food will be tender. Two independent cooking zones. Heating by means of Incoloy 800 armored heating elements located under the grille. Temperature control by means of thermostat. Lamp on control panel to indicate oven heating activation. Special design knobs to avoid water penetration in the control panel. Adjustable feet made of stainless steel. IPX5 protection rating. Electric power supply VAC 400 3N 50±60 Hz - 15 kW. (Included: 4 x SE 110/80 GGACQ)

Technical draw



E: Electric power