



Client _____ Quantity _____

Project _____ Position _____

ROC 1100

Model: R110/80AGGI

Cod: MP01495115002

Technical data

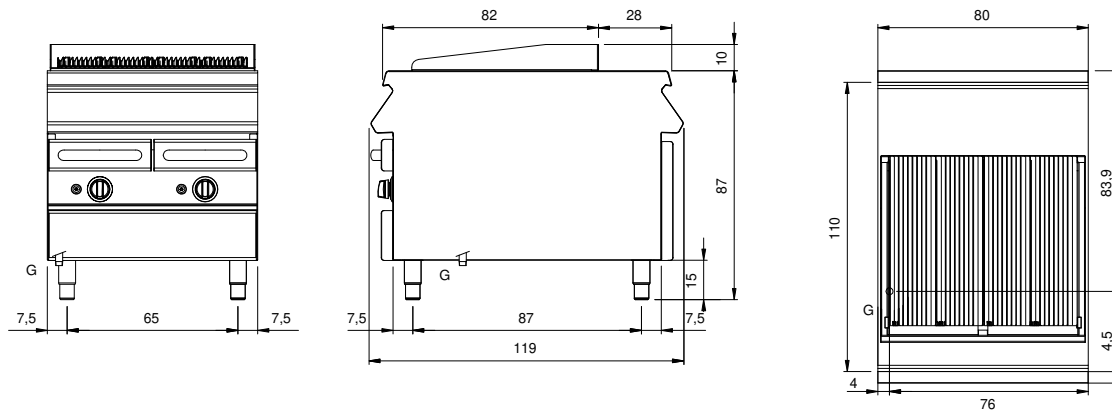
Modularity:	On closed cabinet
Dimensions (mm):	800x1100x870
Total gas power (Kcal/h):	18917
Total gas power (kW):	22
Cooking zone dimensions 1 (LxD mm):	n°2 981.096.00 (178,5x645)
Cooking zone dimensions 2 (LxD mm):	n°2 981.096.00 (178,5x645)
Gas connection:	1/2"
Net volume (m3):	0,766
Packing dimensions (mm):	880x1272x1274
Gross volume (m3):	1,426

Features

Grill:	In stainless steel
Working top:	Made of AISI 304 stainless steel with a thickness of 2 mm
Knobs:	Made of aluminum with IPX5 water protection
Liquid collection container:	Removable and dishwasher safe
Upright Splash guard:	On three sides
Kit Gas:	Natural gas conversion kit 30/50 m/bar (tested with natural gas G20)

Gas aqua grill on closed cabinet. Side panels, bottom and back made of stainless steel. Top made of AISI 304 thickness 20/10. Designed for flush alignment. Reversible stainless steel cooking grille. Forward sloping for cooking fatty meats, with 5 mm elements in direct contact and drip tray for collecting grease. Flat for cooking fish and vegetables with circular elements. Side and rear splashback. Grease collection by an upper front extractable tray. An extractable drawer located under the heating zone contains water whose evaporation ensures grilled food will be tender. Two independent cooking zones. Heating by means of steel burner with stabilized flame complete with pilot flame and safety thermocouple. Cooking temperature manually controlled by gas supply safety tap. Automatic ignition by means of piezoelectric device with waterproof cap. Special design knobs to avoid water penetration in the control panel. Base completely made of stainless steel. Adjustable feet made of stainless steel. IPX5 protection rating. Gas total power 22 kW. (Included: 4 x SE 110/80 GGACQ)

Technical draw



G: Gas connection 1/2"