



Client \_\_\_\_\_ Quantity \_\_\_\_\_  
 Project \_\_\_\_\_ Position \_\_\_\_\_

## FUN 700

Model: F70/80GRLI/P

Cod: MP01452113011

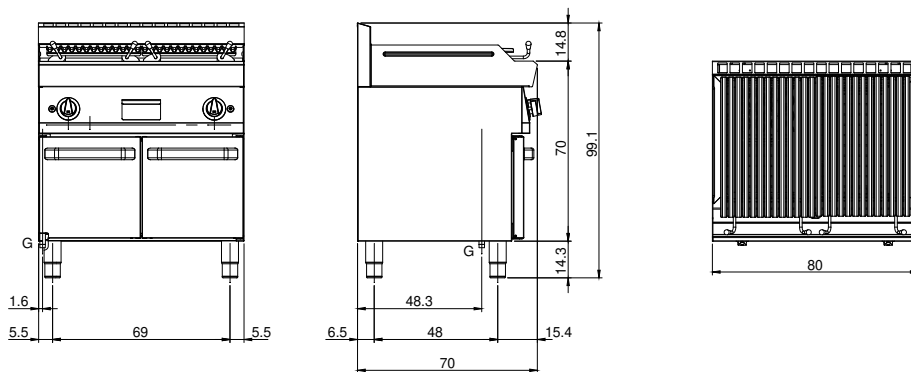
### Technical data

Modularity:	On cabinet with doors
Dimensions (mm):	800x700x850
Total gas power (Kcal/h):	12898
Total gas power (kW):	15
Cooking zone dimensions 1 (LxD mm):	n°2 681.101.13 (184x520)
Cooking zone dimensions 2 (LxD mm):	n°2 681.101.13 (184x520)
Gas connection:	1/2"
Net volume (m3):	0,48
Packing dimensions (mm):	880x856x509
Gross weight (kg):	85
Gross volume (m3):	0,383

### Features

Grill:	In stainless steel
Working top:	Made of AISI 304 stainless steel with a thickness of 10/10 mm
Knobs:	Knobs are made from a sturdy heat-resistant polymer blend and are equipped with liquid anti-leakage washer
Handles:	Brushed aluminum finish
Liquid collection container:	Removable and dishwasher safe
Kit Gas:	Natural gas conversion kit 30/50 m/bar (tested with natural gas G20)

Gas lava-stone grill. Top with deep funnel in AISI 304 stainless steel; covering in AISI 430 stainless steel thickness 8/10; bottoms and internal parts in anti-corrosion material (aluminised sheet metal). Grill with cast iron hob. Stainless steel pull-out drawer for collection of residual fats. 2 burner x 5.5 kW., in stainless steel with pilot burner with piezoelectric ignition. Gas supplied by means of safety valve with thermocouple. Total power 11 kW

**Technical draw**

G: Gas connection 1/2"