



Client _____ Quantity _____
 Project _____ Position _____

FUN 700

Model: F70/40GRLI/P

Cod: MP01452113010

Technical data

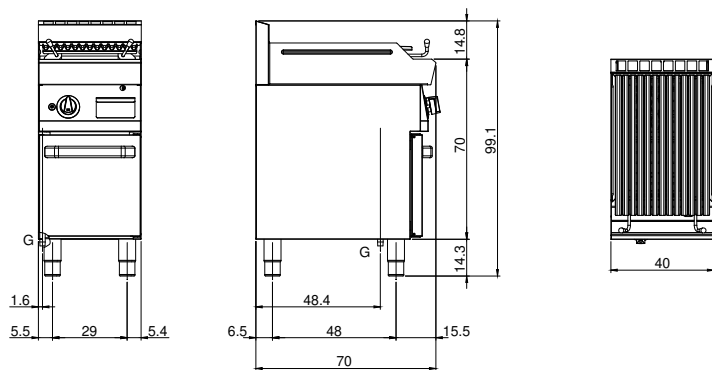
Modularity:	On cabinet with door
Dimensions (mm):	400x700x850
Total gas power (Kcal/h):	6449
Total gas power (kW):	7,5
Cooking zone dimensions 1 (LxD mm):	n°2 681.101.13 (184x520)
Gas connection:	1/2"
Net volume (m3):	0,238
Packing dimensions (mm):	477x776x1147
Gross weight (kg):	63
Gross volume (m3):	0,425

Features

Grill:	In stainless steel
Working top:	Made of AISI 304 stainless steel with a thickness of 10/10 mm
Knobs:	Knobs are made from a sturdy heat-resistant polymer blend and are equipped with liquid anti-leakage washer
Handles:	Brushed aluminum finish
Liquid collection container:	Removable and dishwasher safe
Kit Gas:	Natural gas conversion kit 30/50 m/bar (tested with natural gas G20)

Gas lava stone grill on open cabinet Top made of AISI 304 stainless steel thickness 10/10; covering in AISI 304 stainless steel thickness 10/10; external reinforcements made of anti-corrosion material (aluminised sheet metal); bottoms and internal parts in AISI 430 steel; flue cover in enamelled steel. Equipped with two independent cooking zones. Hob grill with V-shaped profiles in cast iron. Pull-out tray for collection of residual fats. Stainless steel burners with pilot burner with piezoelectric ignition. Gas supplied by means of safety valve with thermocouple. Lever-controlled grill raising mechanism to control distance of grill from brazier. 2 burners x 7.5 kW. Total power 15 kW

Technical draw



G: Gas connection 1/2"