



Client _____ Quantity _____
 Project _____ Position _____

FUN 700

Model: F70/40GRLG/A
 Market: Extra UE

Cod: MP01452113001

Technical data

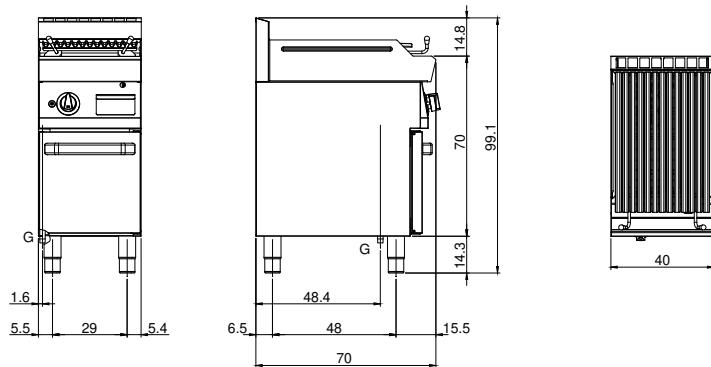
Modularity:	On open cabinet
Dimensions (mm):	400x700x850
Total gas power (Kcal/h):	6449
Total gas power (kW):	7,5
Cooking zone dimensions 1 (LxD mm):	n°2 681.101.13 (184x520)
Gas connection:	1/2"
Net volume (m3):	0,238
Packing dimensions (mm):	477x776x1147
Gross weight (kg):	62
Gross volume (m3):	0,425

Features

Grill:	In cast iron
Working top:	Made of AISI 304 stainless steel with a thickness of 10/10 mm
Knobs:	Knobs are made from a sturdy heat-resistant polymer blend and are equipped with liquid anti-leakage washer
Liquid collection container:	Removable and dishwasher safe
Kit Gas:	Natural gas conversion kit 30/50 m/bar (tested with natural gas G20)

Gas lava-stone grill. Top with deep funnel in AISI 304 stainless steel; covering in AISI 430 stainless steel thickness 8/10; bottoms and internal parts in anti-corrosion material (aluminised sheet metal). Grill with cast iron hob. Stainless steel pull-out drawer for collection of residual fats. 1 burner x 5.5 kW., in stainless steel with pilot burner with piezoelectric ignition. Gas supplied by means of safety valve with thermocouple. Total power 5.5 kW

Technical draw



G: Gas connection 1/2"