

Client _____ Quantity _____

Project _____ Position _____

FUN 700

Model: F70/40GRLG/T

Cod: MP01452113000

Market: Extra UE



Technical data

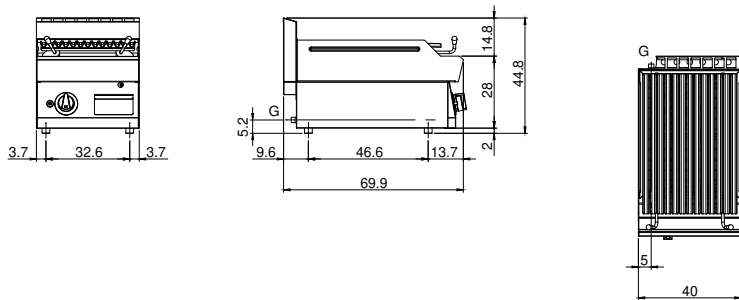
| | |
|-------------------------------------|--------------------------|
| Modularity: | Top |
| Dimensions (mm): | 400x700x300 |
| Total gas power (Kcal/h): | 6449 |
| Total gas power (kW): | 7,5 |
| Cooking zone dimensions 1 (LxD mm): | n°2 681.101.13 (184x520) |
| Gas connection: | 1/2" |
| Net volume (m3): | 0,084 |
| Packing dimensions (mm): | 477x776x612 |
| Gross weight (kg): | 52 |
| Gross volume (m3): | 0,227 |

Features

| | |
|------------------------------|--|
| Grill: | In cast iron |
| Working top: | Made of AISI 304 stainless steel with a thickness of 10/10 mm |
| Knobs: | Knobs are made from a sturdy heat-resistant polymer blend and are equipped with liquid anti-leakage washer |
| Liquid collection container: | Removable and dishwasher safe |
| Kit Gas: | Natural gas conversion kit 30/50 m/bar (tested with natural gas G20) |

Gas lava stone grill on cabinet with door. Top made of AISI 304 stainless steel thickness 10/10; covering in AISI 304 stainless steel thickness 10/10; external reinforcements made of anti-corrosion material (aluminised sheet metal); bottoms and internal parts in AISI 430 steel; flue cover in enamelled steel. Hob grill with V-shaped profiles in AISI 304 stainless steel. Pull-out tray for collection of residual fats. Stainless steel burner with pilot burner with piezoelectric ignition. Gas supplied by means of safety valve with thermocouple. Lever-controlled grill raising mechanism to control distance of grill from brazier. 1 burner x 7.5 kW. Total power 7.5 Kw.

Technical draw



G: Gas connection 1/2"