



Client \_\_\_\_\_ Quantity \_\_\_\_\_  
Project \_\_\_\_\_ Position \_\_\_\_\_

## FUN 700

Model: F70/70GRGI/A

Cod: MP01412113009

### Technical data

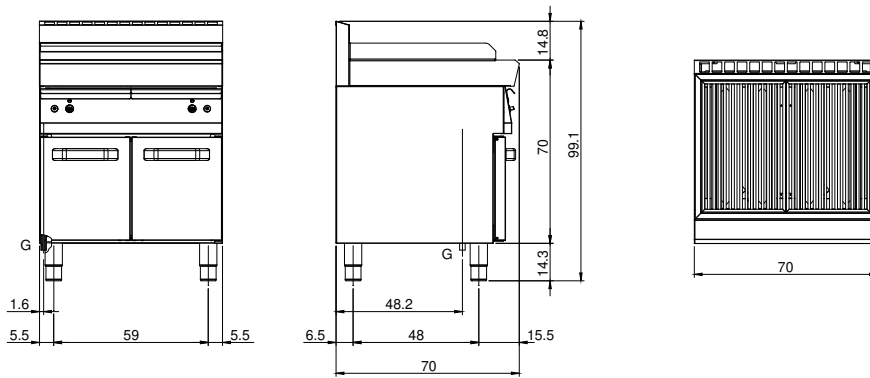
Modularity:	On open cabinet
Dimensions (mm):	700x700x850
Total gas power (Kcal/h):	12898
Total gas power (kW):	15
Cooking zone dimensions 1 (LxD mm):	500x320
Cooking zone dimensions 2 (LxD mm):	500x320
Gas connection:	1/2"
Net volume (m3):	0,417
Packing dimensions (mm):	776x776x1180
Gross weight (kg):	78
Gross volume (m3):	0,711

### Features

Grill:	In stainless steel
Working top:	Made of AISI 304 stainless steel with a thickness of 10/10 mm
Knobs:	Knobs are made from a sturdy heat-resistant polymer blend and are equipped with liquid anti-leakage washer
Liquid collection container:	Removable and dishwasher safe
Upright Splash guard:	On two sides
Kit Gas:	Natural gas conversion kit 30/50 m/bar (tested with natural gas G20)

Gas electromechanical Convection Oven

Technical draw



G: Gas connection 1/2"