

Client \_\_\_\_\_ Quantity \_\_\_\_\_  
 Project \_\_\_\_\_ Position \_\_\_\_\_

## FUN 700

Model: F70/70GRGI/T

Cod: MP01412113008



### Technical data

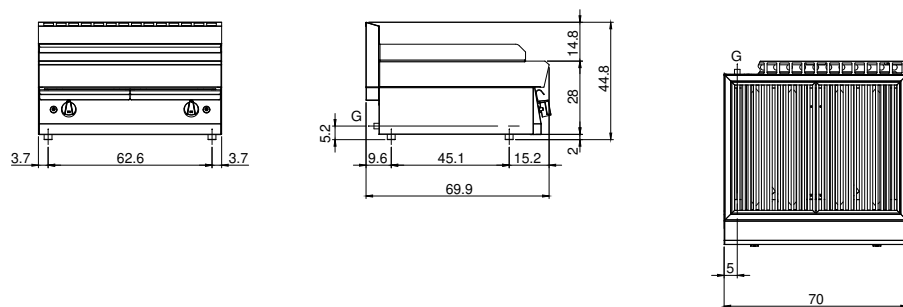
Modularity:	Top
Dimensions (mm):	700x700x300
Total gas power (Kcal/h):	12898
Total gas power (kW):	15
Cooking zone dimensions 1 (LxD mm):	500x320
Cooking zone dimensions 2 (LxD mm):	500x320
Gas connection:	1/2"
Net volume (m3):	0,147
Packing dimensions (mm):	776x776x636
Gross weight (kg):	66
Gross volume (m3):	0,383

### Features

Grill:	In stainless steel
Working top:	Made of AISI 304 stainless steel with a thickness of 10/10 mm
Knobs:	Knobs are made from a sturdy heat-resistant polymer blend and are equipped with liquid anti-leakage washer
Liquid collection container:	Removable and dishwasher safe
Upright Splash guard:	On two sides
Kit Gas:	Natural gas conversion kit 30/50 m/bar (tested with natural gas G20)

Gas grill on cabinet with door. Top made of AISI 304 stainless steel thickness 10/10; covering in AISI 304 stainless steel thickness 10/10; external reinforcements made of anti-corrosion material (aluminised sheet metal); bottoms and internal parts in AISI 430 steel; flue cover in enamelled steel. Hob grill with V-shaped profiles in cast iron. Pull out tray for collection of residual grease which must be filled with water during operation. Stainless steel burner with pilot burner with piezoelectric ignition. Gas supplied by means of safety valve with thermocouple. 1 burner x 7.5 kW. Total power 7.5 kW

### Technical draw



G: Gas connection 1/2"