



Client _____ Quantity _____
 Project _____ Position _____

FUN 700

Model: F70/70GRGG/P
 Market: Extra UE

Cod: MP01412113005

Technical data

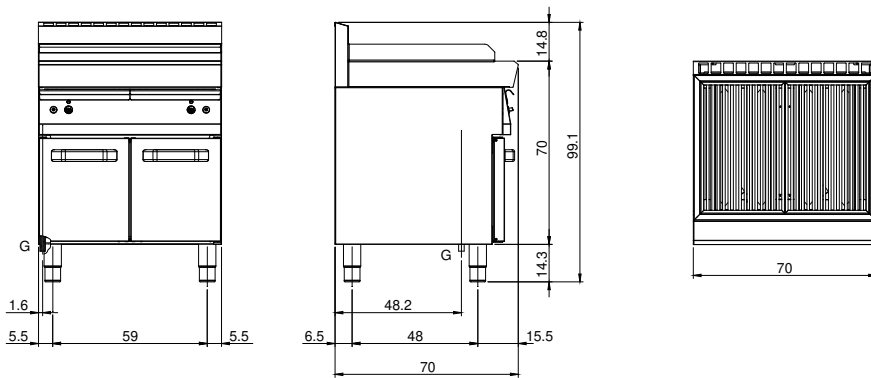
Modularity:	On cabinet with doors
Dimensions (mm):	700x700x850
Total gas power (Kcal/h):	12898
Total gas power (kW):	15
Cooking zone dimensions 1 (LxD mm):	500x320
Cooking zone dimensions 2 (LxD mm):	500x320
Gas connection:	1/2"
Net volume (m3):	0,417
Packing dimensions (mm):	776x776x1180
Gross weight (kg):	84
Gross volume (m3):	0,711

Features

Grill:	In cast iron
Working top:	Made of AISI 304 stainless steel with a thickness of 10/10 mm
Knobs:	Knobs are made from a sturdy heat-resistant polymer blend and are equipped with liquid anti-leakage washer
Handles:	Brushed aluminum finish
Liquid collection container:	Removable and dishwasher safe
Upright Splash guard:	On two sides
Kit Gas:	Natural gas conversion kit 30/50 m/bar (tested with natural gas G20)

Gas grill on open cabinet Top made of AISI 304 stainless steel thickness 10/10; covering in AISI 304 stainless steel thickness 10/10; external reinforcements made of anti-corrosion material (aluminised sheet metal); bottoms and internal parts in AISI 430 steel; flue cover in enamelled steel. Equipped with two independent cooking zones. Hob grill with V-shaped profiles in stainless steel. Pull out tray for collection of residual grease which must be filled with water during operation. Stainless steel burners with pilot burner with piezoelectric ignition. Gas supplied by means of safety valve with thermocouple. 2 burners x 7.5 kW. Total power 15 kW Set up on open cabinet.

Technical draw



G: Gas connection 1/2"