



Client _____ Quantity _____
Project _____ Position _____

ROC 1100

Model: R110/60FTE/CR/A

Cod: MP01375125007

Technical data

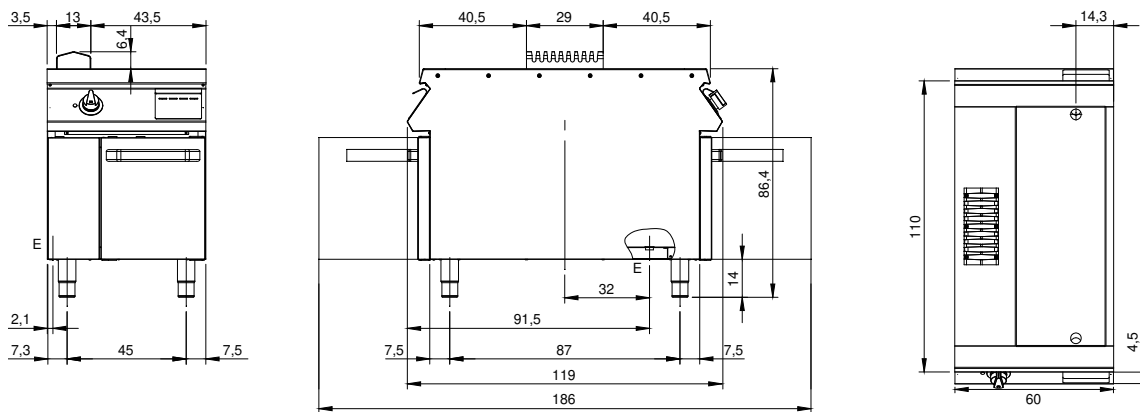
| | |
|-------------------------------------|-----------------|
| Modularity: | On open cabinet |
| Dimensions (mm): | 600x1100x870 |
| Total electric power (kW): | 7,5 |
| Cooking zone dimensions 1 (LxD mm): | 734x900 |
| Electric power (V): | 380-415 |
| Ampere (A): | 11,5 |
| Phases: | 3N |
| Cable section (mmq): | 5G1,5 |
| Frequency (Hz): | 50-60 |
| Net volume (m3): | 0,574 |
| Packing dimensions (mm): | 880x1272x1274 |
| Gross weight (kg): | 130 |
| Gross volume (m3): | 1,426 |

Features

| | |
|------------------------------|---|
| Working top: | Made of AISI 304 stainless steel with a thickness of 2 mm |
| Material of plate: | Polished chrome |
| Plate finish: | Ribbed |
| Knobs: | Made of aluminum with IPX5 water protection |
| Flue: | Made of AISI 304 stainless steel |
| Heating: | Armoured heating elements |
| Liquid collection container: | Removable and dishwasher safe |
| Plate: | Polished chromed plate |
| Upright Splash guard: | On two sides (optional) |

Electric griddle with grooved chromed plate, model on open cabinet. Side panels, bottom and back made of stainless steel. Top made of AISI 304 thickness 20/10. Lateral flue made of stainless steel. Designed for flush alignment. Recessed (4 cm) hotplate fully welded and sealed to the top. Hard chrome plated hotplate with mirror polished surface with cold zone at the front. Round hole and extractable drawer for grease drain and collection. Heating by means of Incoloy 800 armored heating elements. Temperature control by means of thermostat. Safety thermostat. Lamp on control panel to indicate heating activation. Special design knobs to avoid water penetration in the control panel on both sides. Base completely made of stainless steel. Doors with stainless steel tubular handle. Adjustable feet made of stainless steel. IPX5 protection rating. Electric power supply VAC 400 3N 50÷60 Hz - 7,5 kW.

Technical draw



E: Electric power