

Client _____ Quantity _____
 Project _____ Position _____

FUN 700

Model: F70/70FTE/LR/T
 Market: Extra UE

Cod: MP01372123012



Technical data

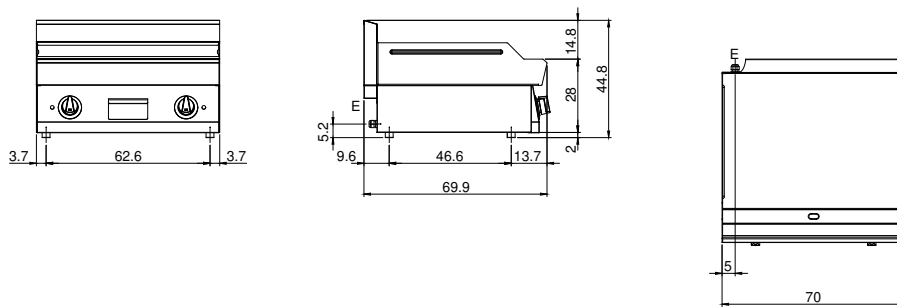
Modularity:	Top
Dimensions (mm):	700x700x300
Total electric power (kW):	9
Cooking zone dimensions 1 (LxD mm):	696x520
Electric power (V):	380-415
Ampere (A):	14
Phases:	3N
Cable section (mmq):	5G2,5
Frequency (Hz):	50-60
Net volume (m3):	0,147
Packing dimensions (mm):	776x776x636
Gross weight (kg):	76
Gross volume (m3):	0,383

Features

Working top:	Made of AISI 304 stainless steel with a thickness of 10/10 mm
Material of plate:	Mild steel
Knobs:	Knobs are made from a sturdy heat-resistant polymer blend and are equipped with liquid anti-leakage washer
Plate:	In mild steel

Gas griddle with grooved plate top version. Top made of AISI 304 stainless steel thickness 10/10; covering in AISI 304 stainless steel thickness 10/10; external reinforcements made of anti-corrosion material (aluminised sheet metal); bottoms and internal parts in AISI 430 steel; flue cover in enamelled steel. Provided with front groove, extractable drawer for grease collection and splash guard on three sides. Equipped with steel burner with pilot burner with piezoelectric ignition. Gas supplied by means of safety valve with thermocouple.
- 1 burner x 5.7 kW. Plate dimensions 395x550 mm. Can be set up on bridge system, or on neutral base with optional doors

Technical draw



E: Electric power