



Client _____ Quantity _____
Project _____ Position _____

FUN 700

Model: F70/40SPE/A

Cod: MP01332123001

Technical data

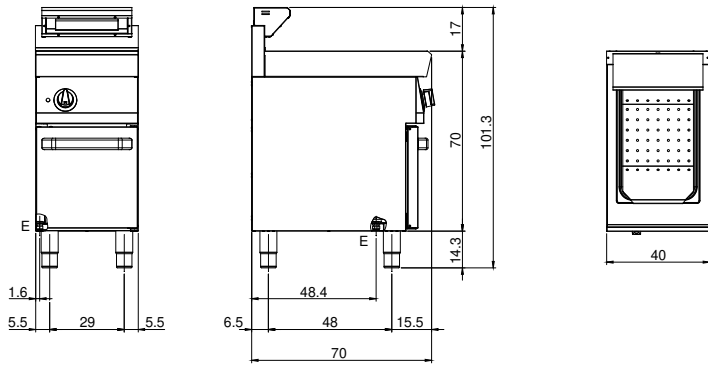
| | |
|----------------------------|-----------------|
| Modularity: | On open cabinet |
| Dimensions (mm): | 400x700x850 |
| Total electric power (kW): | 1 |
| Nr. Wells: | 1 |
| Well litres 1: | 25,5 |
| Well dimensions 1 (mm): | 325x530x150 |
| Electric power (V): | 220-240 |
| Ampere (A): | 5 |
| Phases: | 1 |
| Cable section (mmq): | 3G1 |
| Frequency (Hz): | 50-60 |
| Net volume (m3): | 0,238 |
| Packing dimensions (mm): | 477x776x1147 |
| Gross weight (kg): | 35 |
| Gross volume (m3): | 0,425 |

Features

| | |
|--------------|--|
| Working top: | Made of AISI 304 stainless steel with a thickness of 10/10 mm |
| Knobs: | Knobs are made from a sturdy heat-resistant polymer blend and are equipped with liquid anti-leakage washer |
| Heating: | Infrared ceramic heating elements |

Electric heated chip dump FUN 70/40 container GN 1/1 1 kW open cabinet

Technical draw



E: Electric power