

Client _____ Quantity _____
 Project _____ Position _____

ROC 700

Model: R70/40BMG/T

Cod: MP01254113000



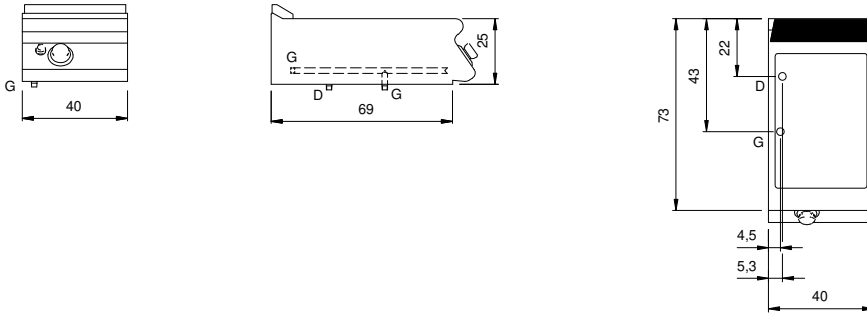
Technical data

Modularity:	Top
Dimension (mm):	400x730x280
Total gas power (Kcal/h):	2580
Total gas power (kW):	3
Nr. Wells:	1
Well litres 1:	19
Well dimensions 1 (mm):	351x516x155
Gas connection:	1/2"
Drain size:	1"
Net volume (m3):	0,082
Packing dimensions (mm):	480x856x475
Gross weight (kg):	30,4
Gross volume (m3):	0,195

Features

Working top:	Made of AISI 304 stainless steel with a thickness of 20/10 mm
Knobs:	Made of aluminum with IPX5 water protection
Flue:	Removable gas exhaust flue grill made of cast iron
Water inflow:	Manual input
Kit Gas:	Natural gas conversion kit 30/50 m/bar (tested with natural gas G20)

Technical draw



G: Gas connection 1/2"

D: Drain for water