



Client _____ Quantity _____
Project _____ Position _____

FUN 700

Model: F70/110TPPFGFB/P

Cod: MP01052113009

Technical data

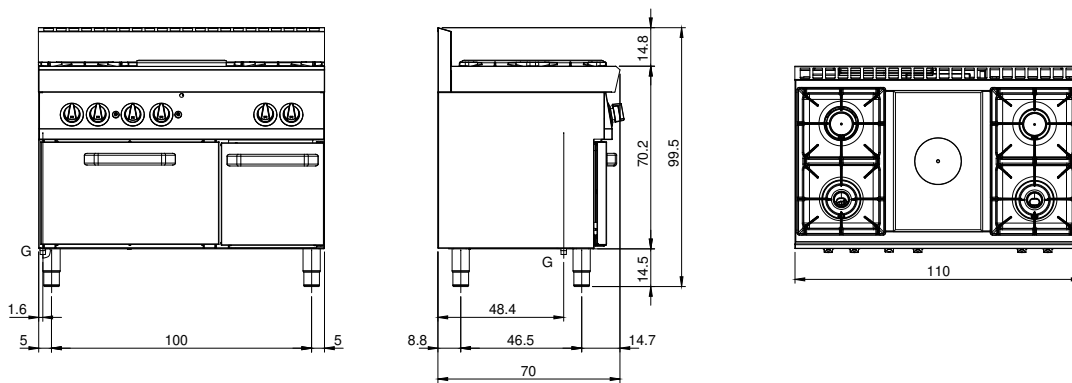
Modularity:	Gas oven
Dimensions (mm):	1100x700x850
Oven dimension (mm):	555x540x270
Total gas power (Kcal/h):	25280
Total gas power (kW):	29,4
Whole-plate power gas (kW):	5,5
Oven type:	Static oven
Oven power (kW):	5
Oven temperature range (°C):	150-300
Gas connection:	1/2"
Net volume (m3):	0,655
Packing dimensions (mm):	1176x776x1180
Gross weight (kg):	134
Burner power 1 (kW):	5,5
Burner power 2 (kW):	3,7
Burner power 3 (kW):	5,5
Burner power 4 (kW):	3,7
Gross volume (m3):	1,077

Features

Grill:	Cast-iron with brass single- and double-crown burner with pilot
Working top:	Made of AISI 304 stainless steel with a thickness of 10/10 mm
Knobs:	Knobs are made from a sturdy heat-resistant polymer blend and are equipped with liquid anti-leakage washer
Handles:	Brushed aluminum finish
Kit Gas:	Natural gas conversion kit 30/50 m/bar (tested with natural gas G20)

Gas solid top range with 2 gas boiling unit on gas oven and neutral cabinet Top in AISI 304 stainless steel thickness 10/10; covering in AISI 304 stainless steel thickness 10/10; bottoms and internal parts in AISI 430 steel; internal reinforcements made of anti-corrosion material (aluminised sheet metal). Full plate in steel featuring high-performance differentiated thermal zones and equipped with extractable central ring. Heating takes place by means of the high-power cast iron central burner, with piezoelectric ignition pilot burner. Gas is supplied by means of a thermocouple safety valve. Hob with two high-power cast iron/brass rapid burners with pilot burner for automatic ignition. Gas is supplied by means of a safety valve with thermocouple. The enamelled steel bowl can easily be extracted for cleaning. The hob pan support is made of anti-acid enamelled cast iron. - 1 burner x 3.7 kW and 1 burner x 5.7 kW. Static gas oven in enamelled steel with double wall isolated door on hinges with balancing springs. The thermally insulated chamber is equipped with 3-position side rack supports which can be extracted for cleaning. Heating takes place by means of stabilized flame burner with piezoelectric ignition; gas is supplied by means of a thermostatic safety valve with thermocouple. Temperature adjustment from 150° to 300°C. Internal dimensions 530x540x280h. mm. - 1 rack 530x530 mm included. Full plate 1 burner 8.2 kW. Gas hob 2 burners 1 burner x 3.7 kW and 1 x 5.5 kW Total power 5 kW. Total gas power 22.4 kW Neutral cabinet equipped with double wall hinged door and chromed steel internal rack holder rack support. Internal dimensions 340x540x390h. - 1 rack GN 1/1 included.

Technical draw



G: Gas connection 1/2"