



Client _____ Quantity _____
Project _____ Position _____

FUN 700

Model: F70/110TPPGFB/A

Cod: MP01052113008

Technical data

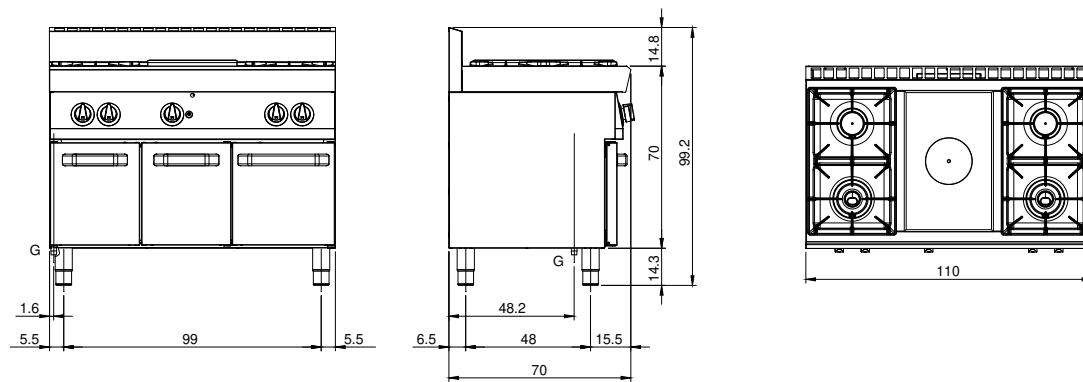
Modularity:	On open cabinet
Dimensions (mm):	1100x700x850
Total gas power (Kcal/h):	20980
Total gas power (kW):	24,4
Whole-plate power gas (kW):	5,5
Gas connection:	1/2"
Net volume (m3):	0,655
Packing dimensions (mm):	1176x776x1180
Gross weight (kg):	86
Burner power 1 (kW):	5,5
Burner power 2 (kW):	3,7
Burner power 3 (kW):	5,5
Burner power 4 (kW):	3,7
Gross volume (m3):	1,077

Features

Grill:	Cast-iron with brass single- and double-crown burner with pilot
Working top:	Made of AISI 304 stainless steel with a thickness of 10/10 mm
Knobs:	Knobs are made from a sturdy heat-resistant polymer blend and are equipped with liquid anti-leakage washer
Kit Gas:	Natural gas conversion kit 30/50 m/bar (tested with natural gas G20)

Gas solid top range with 2 gas boiling unit on open cabinet. Top in AISI 304 stainless steel thickness 10/10; covering in AISI 304 stainless steel thickness 10/10; bottoms and internal parts in AISI 430 steel; internal reinforcements made of anti-corrosion material (aluminised sheet metal). Full plate in steel featuring high-performance differentiated thermal zones and equipped with extractable central ring. Heating takes place by means of the high-power cast iron central burner, with piezoelectric ignition pilot burner. Gas is supplied by means of a thermocouple safety valve. Hob with two high-power cast iron/brass rapid burners with pilot burner for automatic ignition. Gas is supplied by means of a safety valve with thermocouple. The enamelled steel bowl can easily be extracted for cleaning. The hob pan support is made of anti-acid enamelled cast iron. Full plate 1 burner 5.5 kW. Gas hob 2 burners 1 burner x 3.7 kW and 1 x 5.5 kW. Total gas power 14.7 kW.

Technical draw



G: Gas connection 1/2"