



Client _____ Quantity _____
 Project _____ Position _____

FUN 700

Model: F70/110TPFGFB/P

Cod: MP01052113006

Technical data

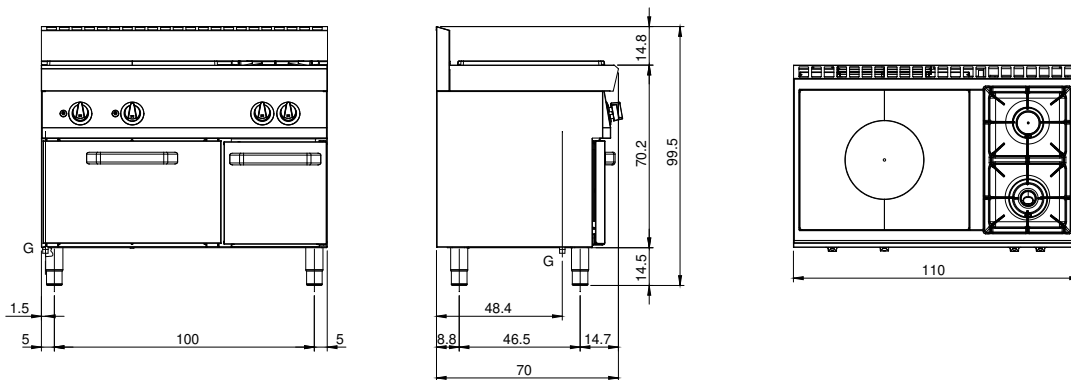
Modularity:	Gas oven
Dimensions (mm):	1100x700x850
Oven dimension (mm):	555x540x270
Total gas power (Kcal/h):	19948
Total gas power (kW):	23,2
Whole-plate power gas (kW):	8,2
Oven type:	Static oven
Oven power (kW):	5
Oven temperature range (°C):	150-300
Gas connection:	1/2"
Net volume (m3):	0,655
Packing dimensions (mm):	1176x776x1180
Gross weight (kg):	151
Burner power 3 (kW):	5,5
Burner power 4 (kW):	3,7
Gross volume (m3):	1,077

Features

Grill:	Cast-iron with brass single- and double-crown burner with pilot
Working top:	Made of AISI 304 stainless steel with a thickness of 10/10 mm
Knobs:	Knobs are made from a sturdy heat-resistant polymer blend and are equipped with liquid anti-leakage washer
Kit Gas:	Natural gas conversion kit 30/50 m/bar (tested with natural gas G20)

Gas solid top range on cabinet with doors. Top made of AISI 304 stainless steel thickness 10/10; covering in AISI 304 stainless steel thickness 10/10; bottoms and internal parts in AISI 430 steel; internal reinforcements made of anti-corrosion material (aluminised sheet metal). Steel full plate featuring high-performance and equipped with central pull-out ring. Heating takes place by means of the high-power cast iron central burner, with piezoelectric ignition pilot burner. Gas is supplied by means of a safety valve with thermocouple. - 1 burner 8.2 kW. Total power 8.2 kW

Technical draw



G: Gas connection 1/2"