



Client _____ Quantity _____
Project _____ Position _____

FUN 700

Model: F70/70TPPGFB/A

Cod: MP01052113004

Technical data

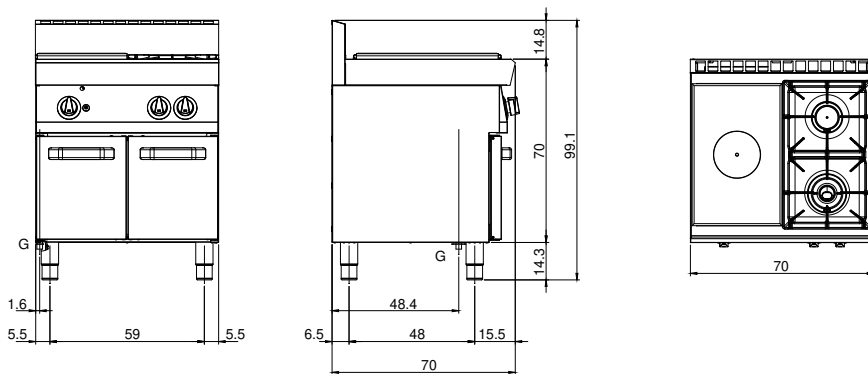
Modularity:	On open cabinet
Dimensions (mm):	700x700x850
Total gas power (Kcal/h):	13070
Total gas power (kW):	15,2
Whole-plate power gas (kW):	5,5
Gas connection:	1/2"
Net volume (m3):	0,417
Packing dimensions (mm):	776x776x1180
Gross weight (kg):	68
Burner power 1 (kW):	5,5
Burner power 2 (kW):	3,7
Gross volume (m3):	0,711

Features

Grill:	Cast-iron with brass single- and double-crown burner with pilot
Working top:	Made of AISI 304 stainless steel with a thickness of 10/10 mm
Knobs:	Knobs are made from a sturdy heat-resistant polymer blend and are equipped with liquid anti-leakage washer
Kit Gas:	Natural gas conversion kit 30/50 m/bar (tested with natural gas G20)

Gas solid top range on gas oven. Top made of AISI 304 stainless steel thickness 8/10; covering in AISI 430 stainless steel thickness 8/10; bottoms and internal parts in AISI 430 steel; internal reinforcements made of anti-corrosion material (aluminised sheet metal). Gas full plate dimensions 66x54 cm. High-performance plate equipped with extractable central ring. High-power cast iron burner (1x8.2 kW). Safety gas valve cock with thermocouple. Piezoelectric ignition. Oven internal dimensions 53x54x28h. cm. Oven rack dimensions 53x53 cm. Thermally insulated double wall oven door. Thermally insulated oven chamber. High stability oven burner. Heating takes place by means of stabilized flame burner with piezoelectric ignition; gas is supplied by means of a thermostatic safety valve with thermocouple. Temperature adjustment from 50° to 300°C. Piezoelectric ignition of oven burner. Total power 5 kW. Total power 13.2 kW

Technical draw



G: Gas connection 1/2"