



Client \_\_\_\_\_ Quantity \_\_\_\_\_  
Project \_\_\_\_\_ Position \_\_\_\_\_

## FUN 700

Model: F70/70TPFG

Cod: MP01052113002

### Technical data

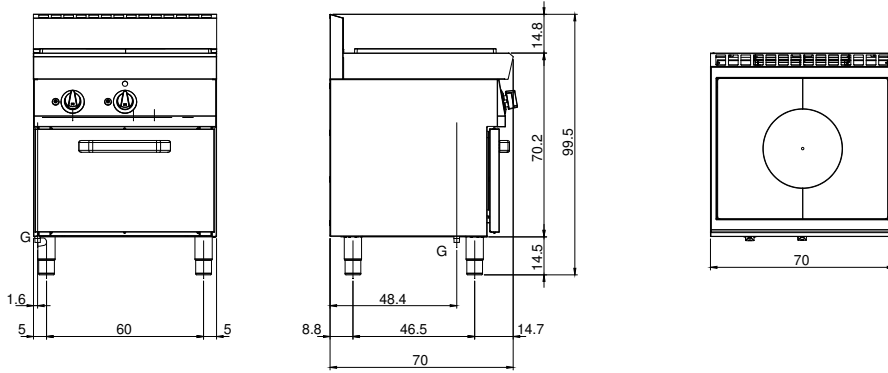
Modularity:	Gas oven
Dimensions (mm):	700x700x850
Oven dimension (mm):	555x540x270
Total gas power (Kcal/h):	12038
Total gas power (kW):	14
Whole-plate power gas (kW):	8,2
Oven type:	Static oven
Oven power (kW):	5
Oven temperature range (°C):	150-300
Gas connection:	1/2"
Net volume (m3):	0,417
Packing dimensions (mm):	776x776x1180
Gross weight (kg):	103
Gross volume (m3):	0,711

### Features

Grill:	Cast-iron with brass single- and double-crown burner with pilot
Working top:	Made of AISI 304 stainless steel with a thickness of 10/10 mm
Knobs:	Knobs are made from a sturdy heat-resistant polymer blend and are equipped with liquid anti-leakage washer
Kit Gas:	Natural gas conversion kit 30/50 m/bar (tested with natural gas G20)

Gas range, 4 burners, electric convection oven with glass door, electric grill

Technical draw



G: Gas connection 1/2"