



Client _____ Quantity _____
Project _____ Position _____

FUN 700

Model: F70/70TPG/A

Cod: MP01052113001

Technical data

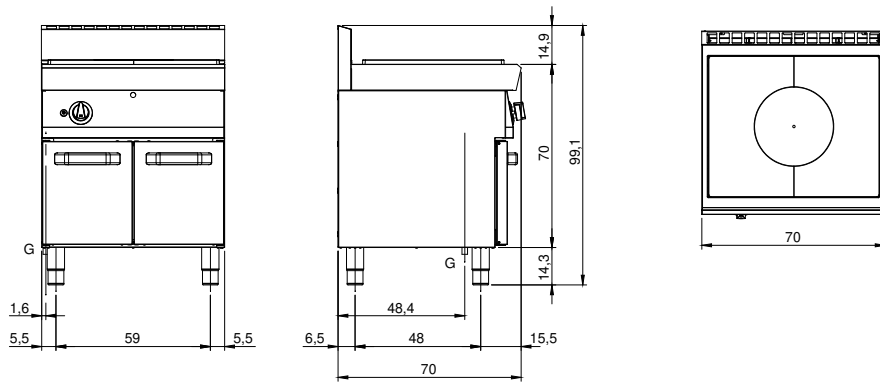
Modularity:	On open cabinet
Dimensions (mm):	700x700x850
Total gas power (Kcal/h):	7739
Total gas power (kW):	9
Whole-plate power gas (kW):	8,2
Gas connection:	1/2"
Net volume (m3):	0,417
Packing dimensions (mm):	776x776x1180
Gross weight (kg):	80
Gross volume (m3):	0,711

Features

Grill:	Cast-iron with brass single- and double-crown burner with pilot
Working top:	Made of AISI 304 stainless steel with a thickness of 10/10 mm
Knobs:	Knobs are made from a sturdy heat-resistant polymer blend and are equipped with liquid anti-leakage washer
Kit Gas:	Natural gas conversion kit 30/50 m/bar (tested with natural gas G20)

Gas range, 5 burners, electric convection oven

Technical draw



G: Gas connection 1/2"