



Client _____ Quantity _____

Project _____ Position _____

FUN 700

Model: F70/40PCEQ/A

Cod: MP01012123005

Technical data

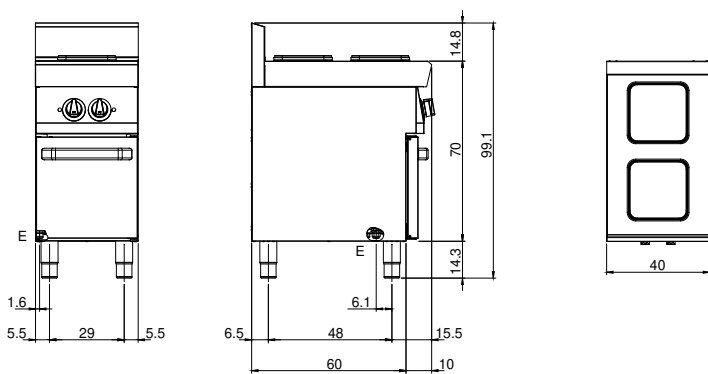
Modularity:	On open cabinet
Dimensions (mm):	400x700x850
Total electric power (kW):	5,2
Electric power (V):	380-415
Ampere (A):	12
Phases:	3N
Cable section (mmq):	5G1,5
Frequency (Hz):	50-60
Net volume (m3):	0,238
Packing dimensions (mm):	477x776x1147
Gross weight (kg):	42
Gross volume (m3):	0,425

Features

Working top:	Made of AISI 304 stainless steel with a thickness of 10/10 mm
Knobs:	Knobs are made from a sturdy heat-resistant polymer blend and are equipped with liquid anti-leakage washer

Induction hob on open cabinet. made of extra thick pyroceram, hermetic, easily cleanable with cooking zones reproduced on it. 2 independent cooking zones controlled by power regulators, controlled by a knobs marked with the adjustment from minimum to maximum power. Set temperature is reached quickly for rapid cooking. The cooking zones are activated only upon direct contact with the pans. They are served by an overheating protection device. Inductive assemblies equipped with ventilation system for heat dissipation. Luminous indicator lights. Covering in AISI 304 stainless steel thickness 10/10; bottoms and internal parts in AISI 430 steel; internal reinforcements made of anti-corrosion material (aluminised sheet metal). - 2 cooking zones of 3,5 kW each. Total power 7 kW. Electrical power supply VAC 400 + 3N 50÷60 Hz.

Technical draw



E: Electric power