



Client _____ Quantity _____
 Project _____ Position _____

FUN 700

Model: F70/110PCGB/P

Cod: MP01012113008

Technical data

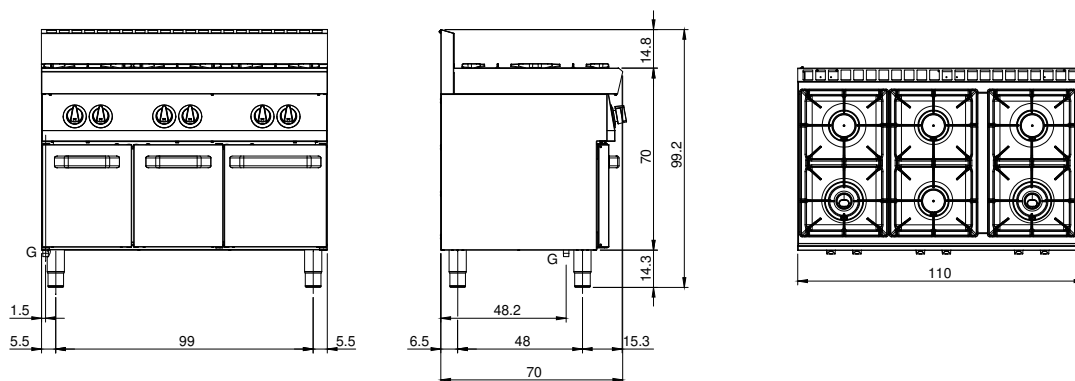
Modularity:	On cabinet with doors
Dimensions (mm):	1100x700x850
Total gas power (Kcal/h):	22184
Total gas power (kW):	25,8
Gas connection:	1/2"
Net volume (m3):	0,655
Packing dimensions (mm):	1176x776x1180
Gross weight (kg):	90,6
Burner power 1 (kW):	5,5
Burner power 2 (kW):	3,7
Burner power 3 (kW):	3,7
Burner power 4 (kW):	3,7
Burner power 5 (kW):	5,5
Burner power 6 (kW):	3,7
Gross volume (m3):	1,077

Features

Burners:	Double or single crown cast iron version available with a pilot light
Grill:	Cast-iron with brass single- and double-crown burner with pilot
Working top:	Made of AISI 304 stainless steel with a thickness of 10/10 mm and removable enamelled containers
Knobs:	Knobs are made from a sturdy heat-resistant polymer blend and are equipped with liquid anti-leakage washer
Handles:	Brushed aluminum finish
Kit Gas:	Natural gas conversion kit 30/50 m/bar (tested with natural gas G20)

Gas hob unit with 4 burners on cabinet with door. Top made of AISI 304 stainless steel thickness 10/10; covering in AISI 304 stainless steel thickness 10/10; bottoms and internal parts in AISI 430 steel; internal reinforcements made of anti-corrosion material (aluminised sheet metal). Equipped with high-power cast iron/brass rapid burners with pilot burner for automatic ignition. Gas is supplied by means of a safety valve with thermocouple. The enamelled steel bowls can easily be extracted for cleaning. Pan supports for hobs in acid-resistant enamelled cast iron - 2 burners x 3.7 kW and 2 burners x 5.5 kW - Total power 18.4 kW.

Technical draw



G: Gas connection 1/2"