

Client \_\_\_\_\_ Quantity \_\_\_\_\_  
 Project \_\_\_\_\_ Position \_\_\_\_\_

## FUN 700

Model: F70/70PCGB/T

Cod: MP01012113003



### Technical data

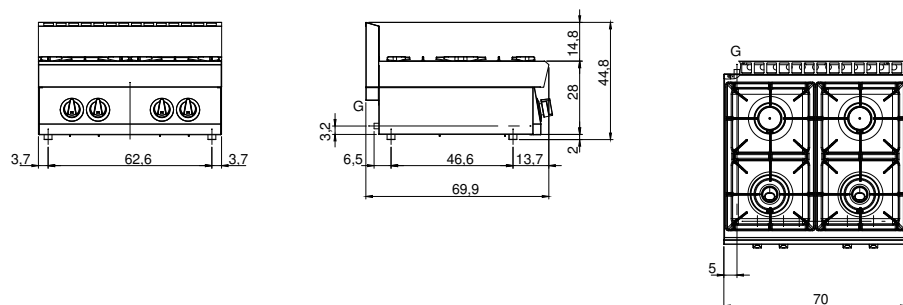
Modularity:	Top
Dimensions (mm):	700x700x300
Total gas power (Kcal/h):	15822
Total gas power (kW):	18,4
Gas connection:	1/2"
Net volume (m3):	0,147
Packing dimensions (mm):	776x776x636
Gross weight (kg):	47
Burner power 1 (kW):	5,5
Burner power 2 (kW):	3,7
Burner power 3 (kW):	5,5
Burner power 4 (kW):	3,7
Gross volume (m3):	0,383

### Features

Burners:	Double or single crown cast iron version available with a pilot light
Grill:	Cast-iron with brass single- and double-crown burner with pilot
Working top:	Made of AISI 304 stainless steel with a thickness of 10/10 mm and removable enamelled containers
Knobs:	Knobs are made from a sturdy heat-resistant polymer blend and are equipped with liquid anti-leakage washer
Kit Gas:	Natural gas conversion kit 30/50 m/bar (tested with natural gas G20)

Gas hob unit with 2 burners on cabinet with door Top made of AISI 304 stainless steel thickness 10/10; covering in AISI 304 stainless steel thickness 10/10; bottoms and internal parts in AISI 430 steel; internal reinforcements made of anti-corrosion material (aluminised sheet metal). Equipped with high-power cast iron/brass rapid burners with pilot burner for automatic ignition. Gas is supplied by means of a safety valve with thermocouple. The enamelled steel bowl can easily be extracted for cleaning. The hob pan support is made of anti-acid enamelled cast iron. - 1 burner x 3.7 kW and 1 burner x 5.5 kW. Total power 9.2 kW.

**Technical draw**



G: Gas connection 1/2"