



Client _____ Quantity _____
Project _____ Position _____

REFRIGERATION

Model: TS16/1BR-490-07

Cod: HT10380000414

Technical data

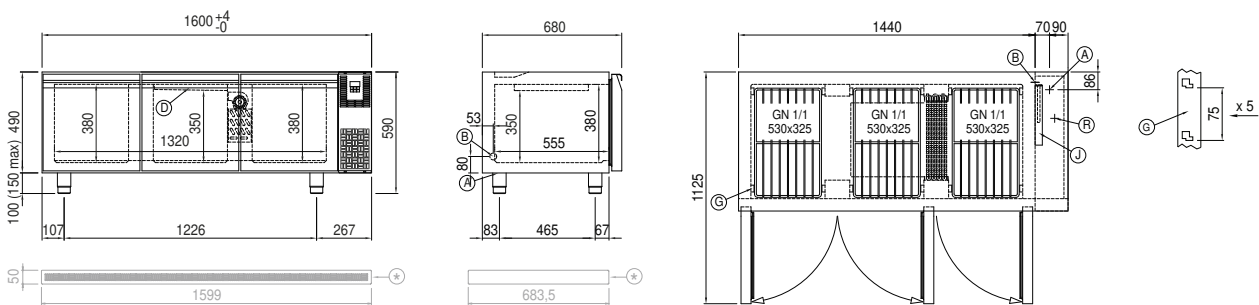
Modularity:	Without top
Dimensions (mm):	1600x680x590
Total electric power (kW):	0,92
Electric power (V):	220-240
Ampere (A):	4,2
Frequency (Hz):	50-60
Net volume (m3):	0,642
Packing dimensions (mm):	1875x800x998
Gross weight (kg):	95
Gross volume (m3):	1,500

Features

Grill:	Plastic coated GN1/1
Working top:	Special for overlapping kitchen top modules Roc
Handles:	AISI 304 stainless steel, 2 mm thick
Drawer guides:	Full extension

2-door freezer base unit. Made entirely of AISI 304 110/10 stainless steel with 60 mm thick insulation obtained with CFC and HCFC-free polyurethane resins. Reversible self-closing doors with 105° stop, equipped with triple chamber geometry gasket with D7 compound. Ventilated refrigeration controlled by digital thermostat. Extractable condensing unit on guides for inspection and cleaning. Automatic hot gas defrosting system and elimination of condensation water by means of the heat dissipated by the refrigerant system. Operation in Climatic Class 5. Energy Class D. Condensing unit incorporated on the right equipped with R290 refrigerant gas with low environmental impact (GWP=3). Temperature -15°/-22° C. Power: 0.55 kW. Voltage: 220-240V/1N/50Hz. Fixing kit to cookign element included

Technical draw



⊕ Telaio di supporto su misura disponibile separatamente / Custom support frame available separately
 MaßgefertigterTragrahmen separat erhältlich / Châssis de support sur mesure disponible séparément
 Bastidor de soporte a medida disponible por separado

G: Gas connection 1/2"