



Client \_\_\_\_\_ Quantity \_\_\_\_\_  
Project \_\_\_\_\_ Position \_\_\_\_\_

## ROC 1100

Model: R110/100FTE/SL/P

Cod: MP01375125022

### Technical data

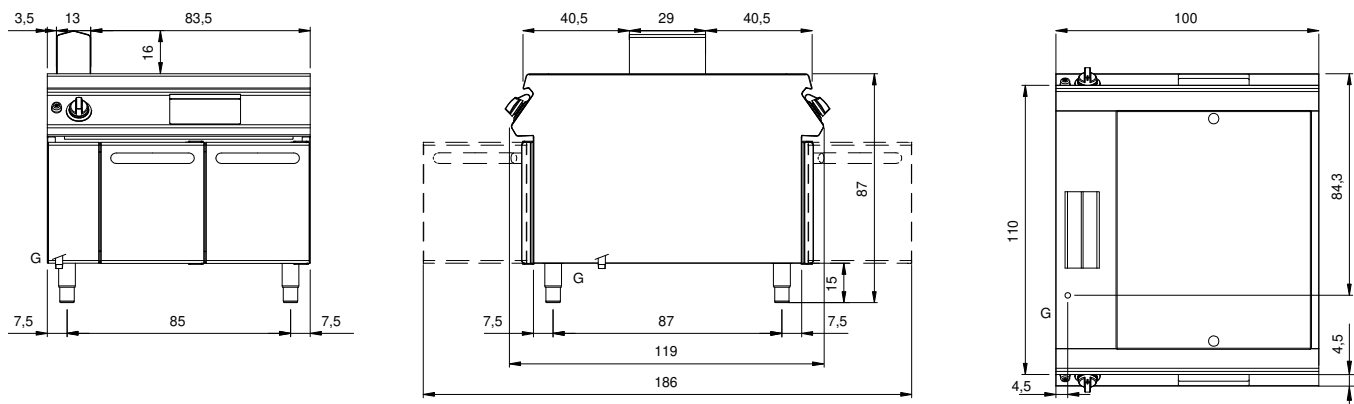
Modularity:	On cabinet with doors
Dimensions (mm):	1000x1100x870
Total electric power (kW):	15
Cooking zone dimensions 1 (LxD mm):	734x900
Electric power (V):	380-415
Ampere (A):	11,5
Phases:	3N
Cable section (mmq):	5G1,5
Frequency (Hz):	50-60
Net volume (m3):	0,957
Packing dimensions (mm):	1280x1272x1274
Gross weight (kg):	190
Gross volume (m3):	2,074

### Features

Working top:	Made of AISI 304 stainless steel with a thickness of 2 mm
Material of plate:	Satin chrome
Plate finish:	Smooth
Knobs:	Made of aluminum with IPX5 water protection
Handles:	The brushed aluminum handles allow for a secure and sturdy grip with a ergonomic lines
Flue:	Made of AISI 304 stainless steel
Heating:	Armoured heating elements
Liquid collection container:	Removable and dishwasher safe
Plate:	Satin chrome plate
Upright Splash guard:	On two sides (optional)

Electric griddle with smooth satin chrome plate, model on cabinet with doors. Side panels, bottom and back made of stainless steel. Top made of AISI 304 thickness 20/10. Lateral flue made of stainless steel. Designed for flush alignment. Recessed (4 cm) hotplate fully welded and sealed to the top. Hard chrome plated hotplate with mirror polished surface with cold zone at the front. Round hole and extractable drawer for grease drain and collection. Two independent cooking zones. Heating by means of Incoloy 800 armored heating elements. Temperature control by means of thermostat. Safety thermostat. Lamp on control panel to indicate heating activation. Special design knobs to avoid water penetration in the control panel on both sides. Base completely made of stainless steel. Doors with stainless steel tubular handle. Adjustable feet made of stainless steel. IPX5 protection rating. Electric power supply VAC 400 3N 50÷60 Hz - 15 kW.

**Technical draw**



E: Electric power