

Client \_\_\_\_\_ Quantity \_\_\_\_\_  
 Project \_\_\_\_\_ Position \_\_\_\_\_

## FUN 700

Model: F70/70FTE/SLR/T

Cod: MP01372123037



### Technical data

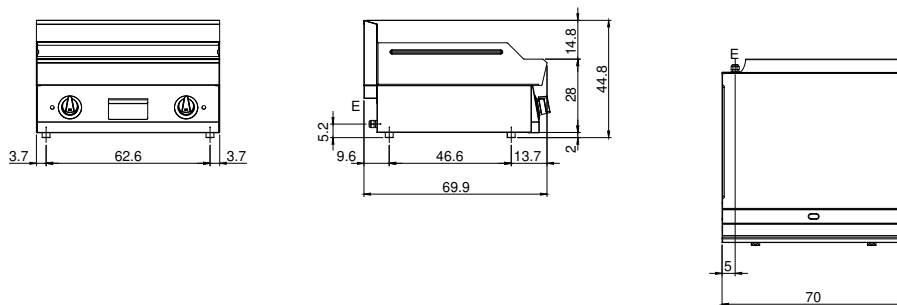
|                                     |             |
|-------------------------------------|-------------|
| Modularity:                         | Top         |
| Dimensions (mm):                    | 700x700x300 |
| Total electric power (kW):          | 9           |
| Cooking zone dimensions 1 (LxD mm): | 696x520     |
| Electric power (V):                 | 380-415     |
| Ampere (A):                         | 14          |
| Phases:                             | 3N          |
| Cable section (mmq):                | 5G2,5       |
| Frequency (Hz):                     | 50-60       |
| Net volume (m3):                    | 0,147       |
| Packing dimensions (mm):            | 776x776x636 |
| Gross weight (kg):                  | 91          |
| Gross volume (m3):                  | 0,383       |

### Features

|                    |  |
|--------------------|--|
| Working top:       | Made of AISI 304 stainless steel with a thickness of 10/10 mm  |
| Material of plate: | Satin chrome   |
| Knobs:             | Knobs are made from a sturdy heat-resistant polymer blend and are equipped with liquid anti-leakage washer |
| Plate:             | Satin chrome plate   |

Electric griddle with polished chromed plate 2/3 Smooth 1/3 grooved Top in AISI 304 stainless steel thickness 8/10; covering in AISI 430 stainless steel 8/10; bottoms and internal parts in AISI 430 steel; internal reinforcements made of anti-corrosion material. (aluminised sheet metal). Equipped with two independent cooking zones. Cooking hotplate in chromed steel with high thermal conductivity for even temperature distribution. Provided with front groove, extractable drawer for grease collection and splash guard on three sides. 3 shielded heating elements of 1.5 kW/ea. for each cooking zone. Thermostat adjustable from 50° to 300° C. Total power 9 kW. Electrical power supply V AC 400+3N 50÷60 Hz.

**Technical draw**



E: Electric power