

Client _____ Quantity _____
 Project _____ Position _____

FUN 700

Model: F70/40FTE/SL/T

Cod: MP01372123028



Technical data

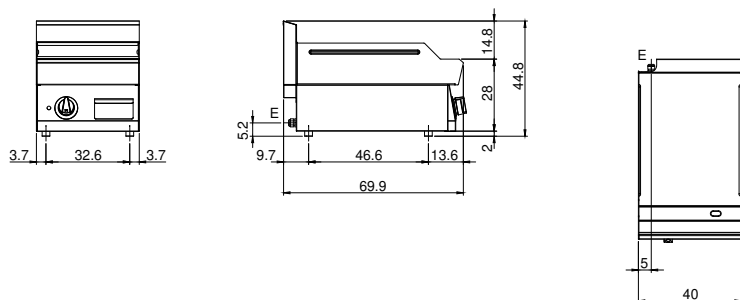
Modularity:	Top
Dimensions (mm):	400x700x300
Total electric power (kW):	4,5
Cooking zone dimensions 1 (LxD mm):	396x520
Electric power (V):	380-415
Ampere (A):	7
Phases:	3N
Cable section (mmq):	5G1,5
Frequency (Hz):	50-60
Net volume (m3):	0,084
Packing dimensions (mm):	477x776x612
Gross weight (kg):	51
Gross volume (m3):	0,227

Features

Working top:	Made of AISI 304 stainless steel with a thickness of 10/10 mm
Material of plate:	Satin chrome
Plate finish:	Smooth
Knobs:	Knobs are made from a sturdy heat-resistant polymer blend and are equipped with liquid anti-leakage washer
Plate:	Satin chrome plate

Gas griddle with smooth plate Top with deep funnel in AISI 304 stainless steel; covering in AISI 430 stainless steel thickness 8/10; bottoms and internal parts in anti-corrosion material (aluminised sheet metal). Cooking hotplate in steel with high thermal conductivity for even temperature distribution. Equipped with two independent cooking zones. Provided with front groove, extractable drawer for grease collection and splash guard on three sides. Steel burners with pilot burners with piezoelectric ignition. Gas supplied by means of safety valve with thermocouple. 2 burners x 5.2 kW/ea. - Total power 10.4 kW - Plate dimensions 595x470 mm.

Technical draw



E: Electric power