

Client \_\_\_\_\_ Quantity \_\_\_\_\_  
 Project \_\_\_\_\_ Position \_\_\_\_\_

## FUN 700

Model: F70/70FTG/SL/T

Cod: MP01372113033



### Technical data

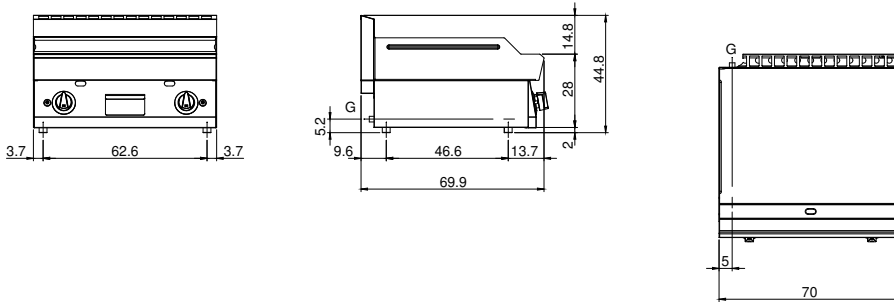
Modularity:	Top
Dimensions (mm):	700x700x300
Total gas power (Kcal/h):	9803
Total gas power (kW):	11,4
Cooking zone dimensions 1 (LxD mm):	696x520
Gas connection:	1/2"
Net volume (m3):	0,147
Packing dimensions (mm):	776x776x636
Gross weight (kg):	84
Gross volume (m3):	0,383

### Features

Working top:	Made of AISI 304 stainless steel with a thickness of 10/10 mm
Material of plate:	Satin chrome
Plate finish:	Smooth
Knobs:	Knobs are made from a sturdy heat-resistant polymer blend and are equipped with liquid anti-leakage washer
Plate:	Satin chrome plate
Kit Gas:	Natural gas conversion kit 30/50 m/bar (tested with natural gas G20)

Electric griddle plate 2/3 Smooth 1/3 grooved on open cabinet Top made of AISI 304 stainless steel thickness 10/10; covering in AISI 304 stainless steel thickness 10/10; external reinforcements made of anti-corrosion material (aluminised sheet metal); bottoms and internal parts in AISI 430 steel; flue cover in enamelled steel. Equipped with two independent cooking zones. Provided with front groove, extractable drawer for grease collection and splash guard on three sides. Cooking zone equipped with 3 heating elements which are thermostat controlled in a range of use from 50° to 300° C. Safety thermostat and indicator lights to show correct operation. 6 plates x 1.5 kW. Total power 9 kW. Cooking plate dimensions 695x550 mm. Electrical power supply VAC 400 + 3N 50÷60 Hz. Set up on open cabinet.

**Technical draw**



G: Gas connection 1/2"