



Client _____ Quantity _____
Project _____ Position _____

FUN 700

Model: F70/40FTG/SL/P

Cod: MP01372113029

Technical data

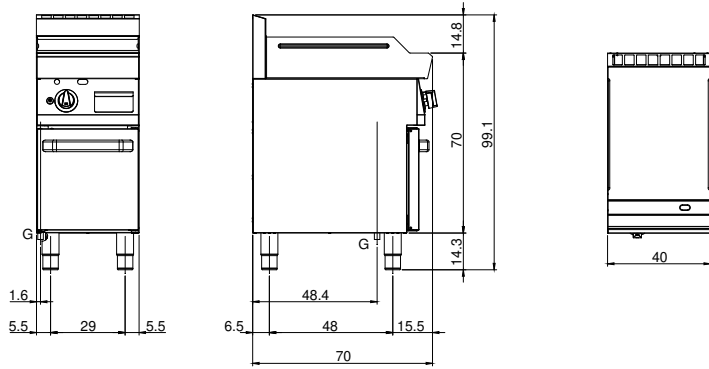
Modularity:	On cabinet with door
Dimensions (mm):	400x700x850
Total gas power (Kcal/h):	4902
Total gas power (kW):	5,7
Cooking zone dimensions 1 (LxD mm):	396x520
Gas connection:	1/2"
Net volume (m3):	0,238
Packing dimensions (mm):	477x776x1147
Gross weight (kg):	61
Gross volume (m3):	0,425

Features

Working top:	Made of AISI 304 stainless steel with a thickness of 10/10 mm
Material of plate:	Satin chrome
Plate finish:	Smooth
Knobs:	Knobs are made from a sturdy heat-resistant polymer blend and are equipped with liquid anti-leakage washer
Handles:	Brushed aluminum finish
Plate:	Satin chrome plate
Kit Gas:	Natural gas conversion kit 30/50 m/bar (tested with natural gas G20)

Gas griddle, smooth satin chrome plate, on cabinet with door

Technical draw



G: Gas connection 1/2"